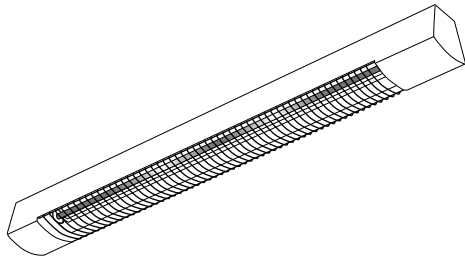


IRM

Infrared
Medium range



USE CASES

- ▶ Warehouses
- ▶ Workshops
- ▶ ...



ADVANTAGES

- ▶ **Multiposition:** installs horizontally or vertically
- ▶ **Large range:** 5 models, in 230 V or 400 V

Multi-position directed comfort

The IRM infrared can be installed straight or inclined on a vertical or horizontal element, wall, pillar, ceiling or beam and is perfectly oriented thanks to its supplied articulated mounting.

Robust, efficient and durable

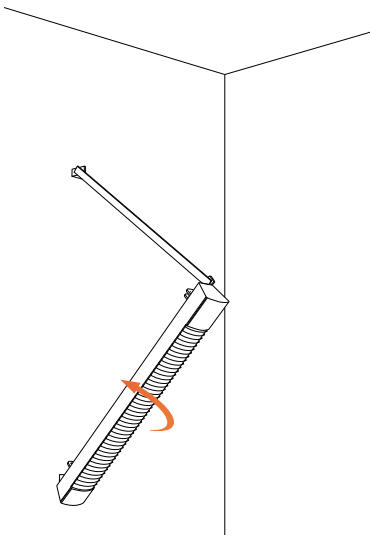
The thick infrared heating element in Incoloy® steel is rustproof, making it durable over time. It provides intense heat and radiation concentrated on the specific position or area and is effective up to 3.5 m.

User safety

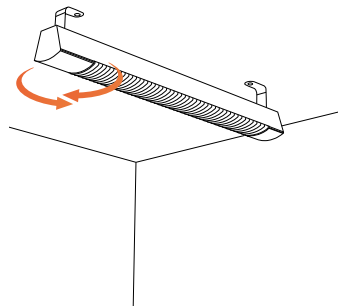
The heat radiation is optimised by a polished aluminium parabolic reflector protected from any risk of contact by a thin chrome-plated grille (shock/contact protection).

Objective: heat a localized area
in a temperate room

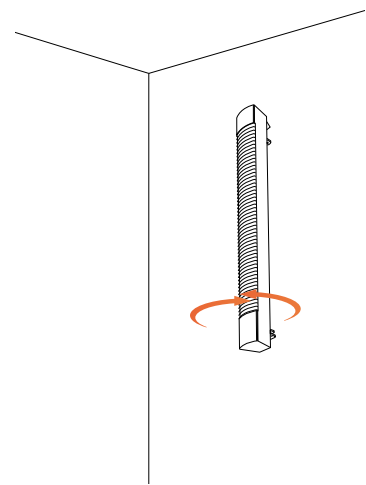
INCLINATION FROM 30 TO 60°
wall installation
with 90° rotation angle



90° ROTATABLE
ceiling installation



90° ROTATION
straight wall installation
(vertical or horizontal)



IRM INFORMATION



Power (W)	L x H x W* (mm)	Weight (kg)	Information
SINGLE-PHASE 230 V			
1000	805 x 115 x 110	2,5	M118101
1500	1010 x 115 x 110	3,1	M118103
2000	1260 x 115 x 110	3,9	M118105
TWO-PHASE 400 V			
1500	1010 x 115 x 110	3,2	M118203
2000	1260 x 115 x 110	3,9	M118205

* Width: when wall-mounted including mount

	230 V single phase M118205 and M118103 and M118105	Two-phase 400 V : M118203 and M118205	Class I IP21 - IK07	2-year warranty
--	--	--	------------------------	-----------------